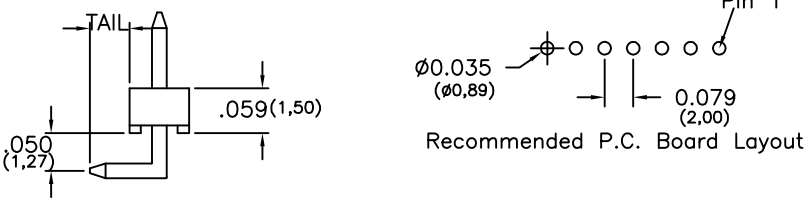
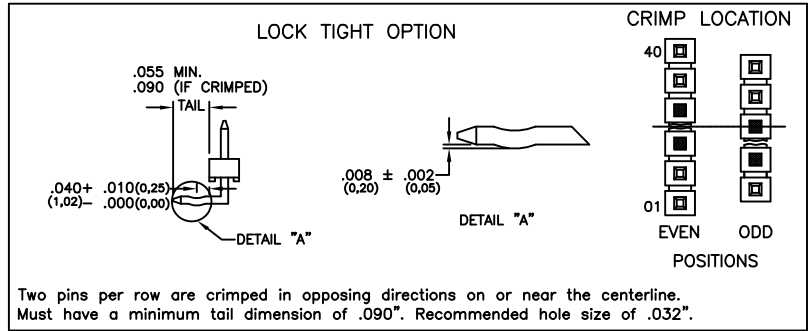
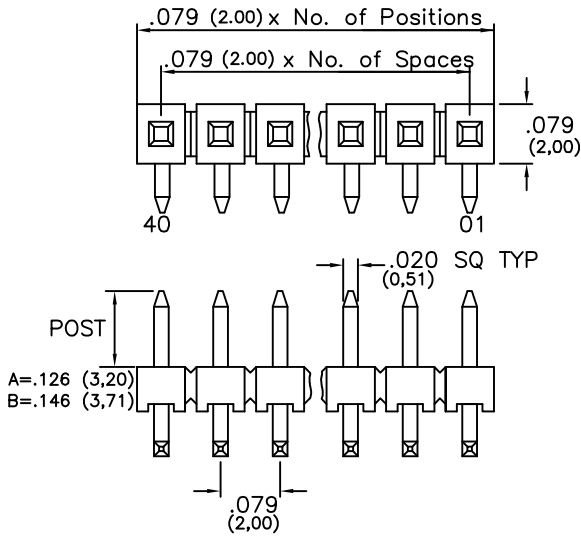


Major League Electronics .079 cl Terminal Strip Headers - Right Angle



Tails may be clipped to achieve desired pin length

Ordering Information

TSHR-2 [] - S - [] - [] - [] - [] - [] - [] - LF

Pins Per Row: 01 - 40
 Row Specification: S = Single Row
 Lead Free

Pin Options				
Tail With .126 Post		Tail With .146 Post		
.120	3.05mm	.100	2.54mm	01
.140	3.56mm	.120	3.05mm	02
.160	4.06mm	.140	3.56mm	04
.199	5.05mm	.179	4.55mm	05
.298	7.57mm	.278	7.06mm	06
.318	8.08mm	.298	7.57mm	08
.337	8.56mm	.317	8.05mm	10

Post Height
 A = .126 (3.20)
 B = .146 (3.71)

Every Other Pin Filled
 Leave blank if not needed
 E = Filled

Polarized Position
 Leave blank if not needed
 If required, specify empty pin position, e.g. 012 for Pin 12

Lock Tight "LT" Option
 Leave blank if not needed
 LT = With

Plating Options	
G	10µ Gold on Contact Area / Flash on Tail
T	Matte Tin All Over
GT	10µ Gold on Contact Area / Matte Tin on Tail
H	30µ Gold on Contact Area / Matte Tin on Tail
F	Gold Flash over Entire Pin

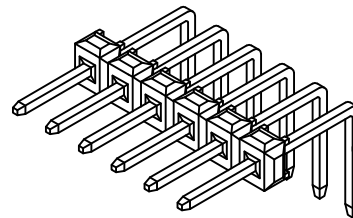
Specifications

Current Rating: 3.0 Ampere
 Insulation Resistance: 1000MΩ Min.
 Dielectric Withstanding: 500V AC
 Contact Resistance: 20 mΩ Max.
 Operating Temperature: -40°C to + 105°C
 Max. Process Temperature:
 Peak: 260°C up to 10 secs.
 Process: 230°C up to 60 secs.
 Wave: 260°C up to 6 secs.
 Manual Solder: 350°C up to 5 secs.

Materials

Contact Material: Phosphor Bronze
 Insulator Material: Nylon 6T
 Plating: Au or Sn over 50µ" (1.27) Ni

Mates with
 BCSS,
 BSSH,
 BSSHC,
 BSSQ,
 BSSQC,
 BSSQM,
 LSMBC,
 LSSHSM,
 SMBC,
 SSHQ,
 SSHQR,
 SSHR,
 SSHS,
 SSHSM,
 ULSMBC



Products cut to specific sizes are uncancellable/nonreturnable

Parts are subject to change without notice

TSHR-2-S SERIES

.079cl Single Row - Right Angle Terminal Strip Headers

21 FEB 07

Scale
 NTS

UNLESS OTHERWISE SPECIFIED
 DIMENSIONS IN INCHES (MM)
 TOLERANCES ARE:

ONE PLACE DECIMALS ±.100
 TWO PLACE DECIMALS ±.010
 THREE PLACE DECIMALS ±.005
 FOUR PLACE DECIMALS ±.0020

ANGLES
 ±.5°



4235 Earnings Way, New Albany, Indiana, 47150, USA
 1-800-782-3486 (USA/Canada/Mexico)
 Tel: 812-944-7244
 Fax: 812-944-7268
 E-mail: mle@mlelectronics.com
 Web: www.mlelectronics.com

Edition
 1

Sheet
 1/1